

UFP Universal Foundation Plate

The UFP provides a retrofit method to anchor the mudsill to the side of the foundation in applications where minimum vertical clearance exists. The UFP is also designed to perform when the mudsill is offset from the foundation up to 2½" or extended beyond the foundation up to ½".

The UFP may be used in place of the FA, HFA and FAP connectors.

MATERIAL: 14 gauge

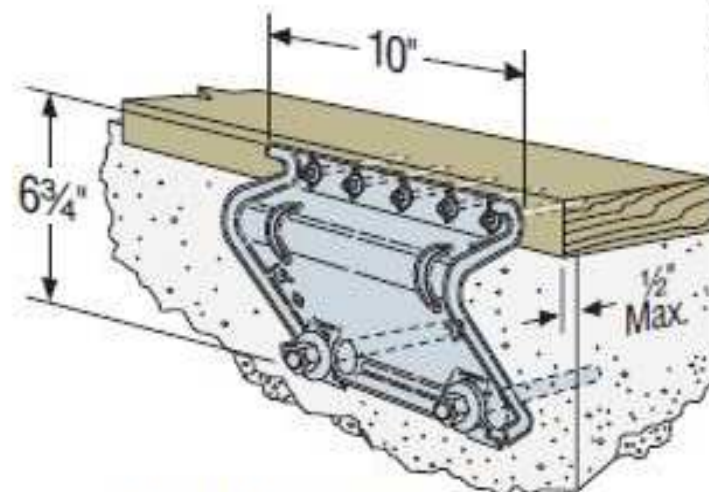
FINISH: Galvanized. May be ordered HDG, contact Simpson Strong-Tie.

See Corrosion Information, page 10-11.

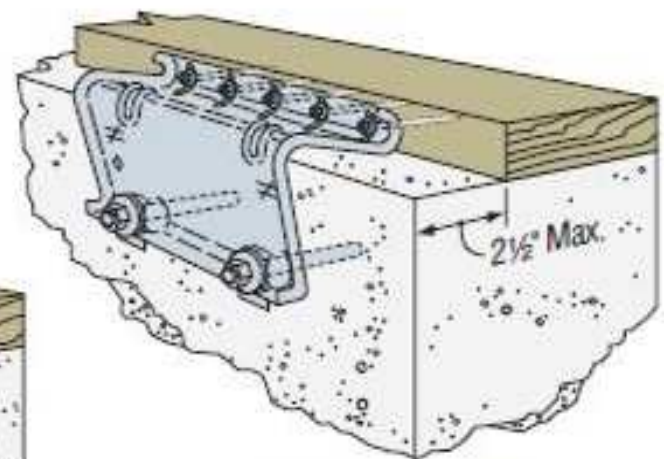
INSTALLATION: • Use all specified fasteners; see General Notes.

- Loads are based on test results using Simpson Strong-Tie® SDS ¼"x3" screws, which are supplied with the UFP10.
- Alternate lag screws will not achieve published loads.
- Refer to technical bulletin T-ANCHORSPEC or flier F-PLANS for post-installed anchorage solutions (see page 191 for details).

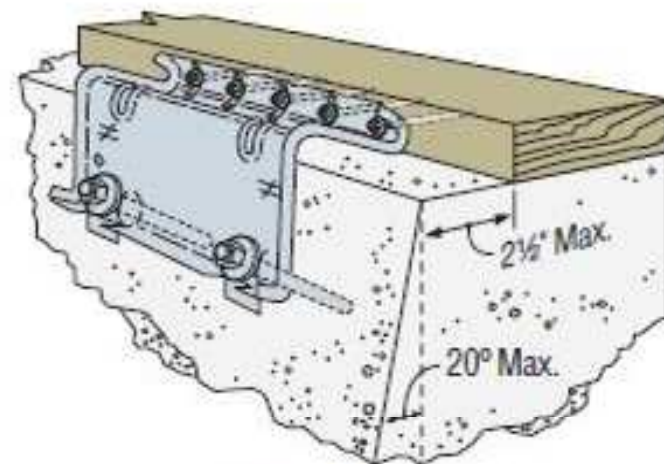
CODES: See page 12 for Code Reference Key Chart.



**UFP10 installed
on a Straight Foundation
with ½" Offset Mudsill**



**UFP10 installed
on a Straight Foundation**



**UFP10 installed on
a Trapezoid Foundation**

U.S. Patent
5,732,519

Model No.	Max Spacing to replace Anchor Bolt ½" or ⅝" dia.	Fasteners			Allowable Load DF/SP Parallel to Plate (160)	Code Ref.
		Anchor Bolt		Plate		
		Qty.	Dia.			
UFP10-SDS3	6'	2	½	5-SDS ¼"x3"	1340	I20, L26, F19

1. Allowable loads have been increased 60% for wind or earthquake loading with no further increase allowed; reduce where other load durations apply.
2. Each anchor bolt requires a standard cut washer.