

FAP/FJA/FS Foundation Anchors

The FAP Plate connects the mudsill to the foundation, and is designed to provide lateral load resistance.

The FJA Foundation Joist Anchor nails or bolts directly into floor joists, providing a direct connection between the foundation and joist to resist uplift and lateral forces. FSA Foundation Stud Anchor nails or bolts to floor joists, or nails to the stud. Plywood sheathing may require notching with stud-to-foundation installation.

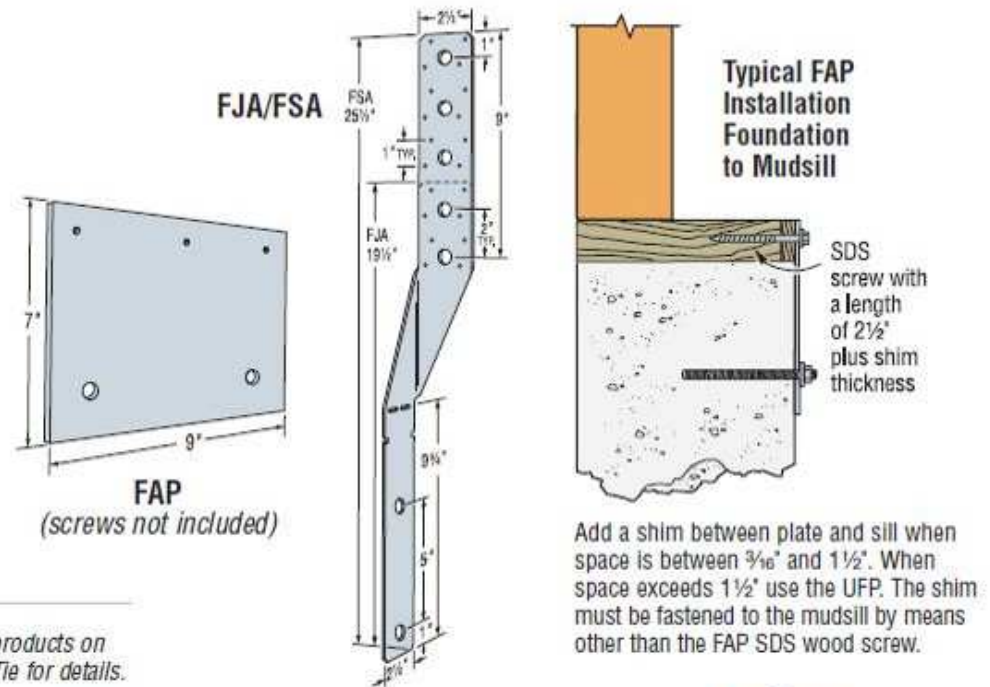
MATERIAL: FAP—7 gauge; all others—12 gauge

FINISH: Galvanized. May be ordered HDG, contact Simpson Strong-Tie. See Corrosion Information, page 10-11.

INSTALLATION:

- Use all specified fasteners; see General Notes.
- Refer to technical bulletin T-ANCHORSPEC for post-installed anchorage solutions (see page 191 for details).

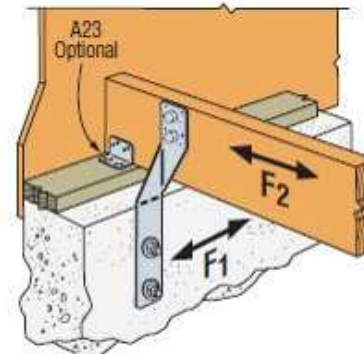
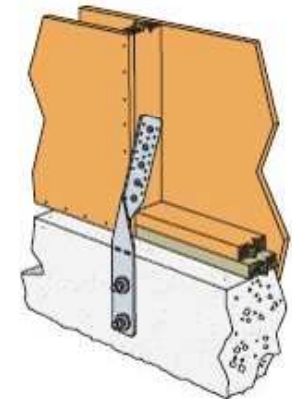
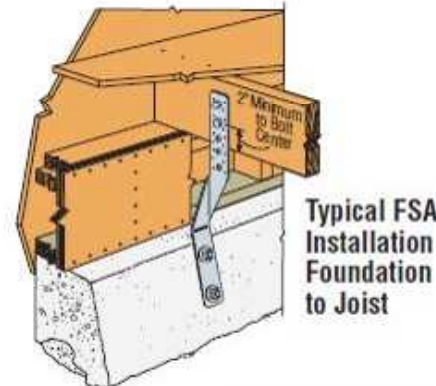
CODES: See page 12 for Code Reference Key Chart.



Add a shim between plate and sill when space is between $\frac{3}{16}$ " and $1\frac{1}{2}$ ". When space exceeds $1\frac{1}{2}$ " use the UFF. The shim must be fastened to the mudsill by means other than the FAP SDS wood screw.

These products are available with additional corrosion protection. Additional products on this page may also be available with this option, check with Simpson Strong-Tie for details.

Model No.	Max Spacing to Replace Anchor Bolts		Fasteners		Allowable Loads DF/SP (160)			Code Ref.	
	1/2"	5/8"	Anchor Bolt Qty.	Stud/Joist/Plate Dia.	Uplift	F ₁	F ₂		
									Stud/Joist/Plate
FAP	5 1/2'	4'	2	1/2"	3-SDS 1/4" x 2 1/2" + shim thickness	—	950	365	L8
FJA	—	—	2	1/2"	8-10dx1 1/2"	1205	185	60	I20, L26, F19
					2-1/2 MB	690	185	60	
FSA	—	—	2	1/2"	8-10dx1 1/2"	1205	—	—	I20, L26, F19
					2-1/2 MB	690	—	—	



Typical FSA Installation Foundation to Stud

Typical FJA Installation Foundation to Joist

1. Allowable loads have been increased 60% for wind or earthquake loading with no further increase allowed; reduce where other load durations govern.
2. For redwood mudsills, reduce F₁ on FAP to 840 lbs.
3. Spacing to be specified by the Designer.
4. FAP shall use a minimum SDS wood screw length of 2 1/2' plus the shim thickness.
5. The shim must be fastened to the mudsill by means other than the FAP SDS wood screw.
6. FAP may be installed with 1/4" HDG lag bolts. Follow code requirements for predrilling.
7. **NAILS:** 10dx1 1/2" = 0.148" dia. x 1 1/2" long. See page 16-17 for other nail sizes and information.